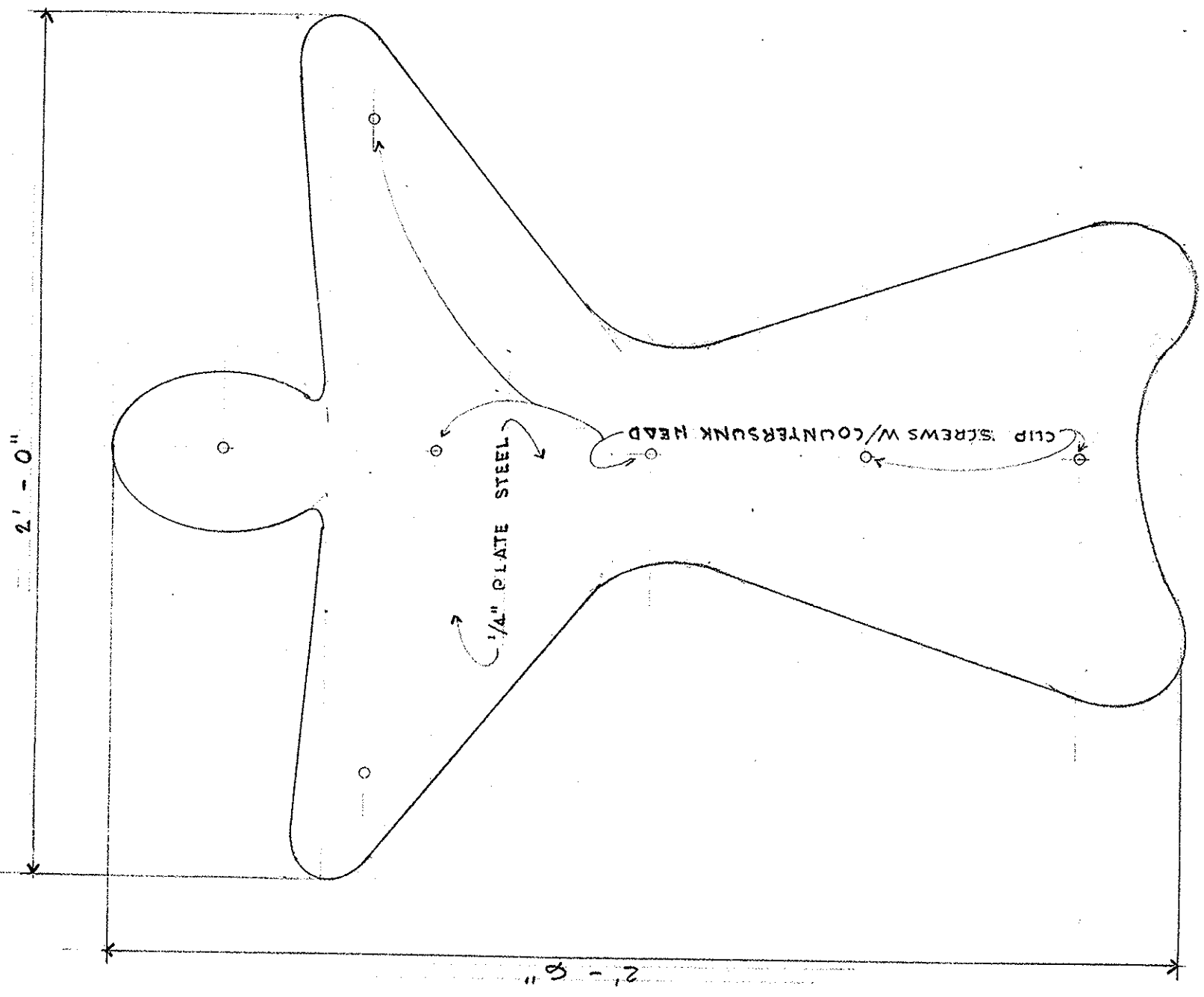
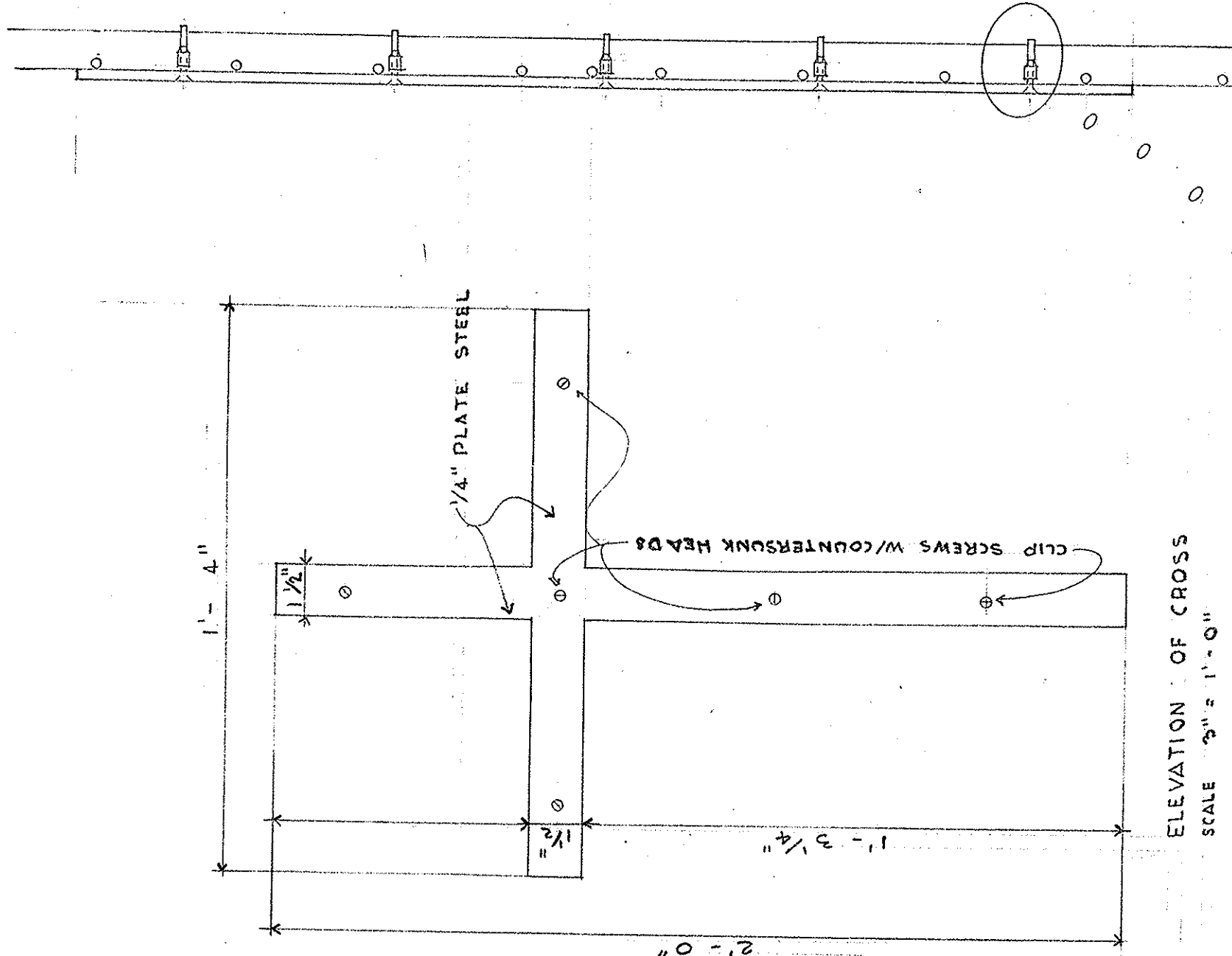


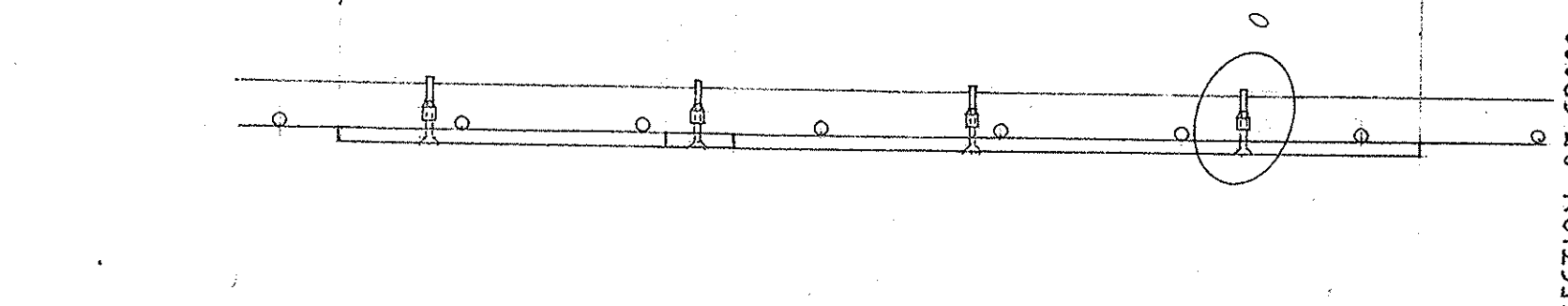
FRONT ELEVATION
SCALE 1/4" = 1'-0"



ELEVATION OF ANGEL
SCALE 3/8" = 1'-0"

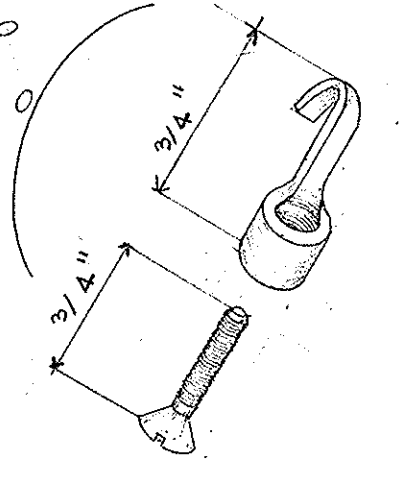


ELEVATION OF CROSS
SCALE 3/8" = 1'-0"



SECTION OF CROSS
SCALE 3/8" = 1'-0"

SECTION OF ANGEL
SCALE 5/8" = 1'-0"



FULL SIZE .CLIP. FOR ANCHORING FIGURES TO TOWER

BELL TOWER FOR SACRED HEART CHURCH PINEVILLE LOUISIANA		SHEET	
BARRON, HEINBERG & BROCCATO ARCHITECTS		ALEXANDRIA, LOUISIANA	
1015 WISTERIA STREET	DATE	REVISION	DRAWN J.E.F.
JOB NO.		CHKD.	